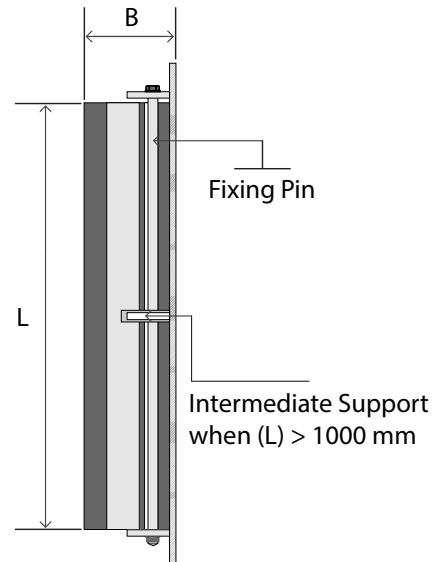
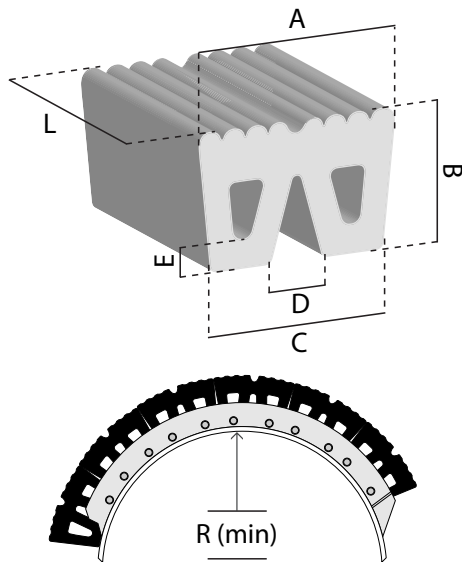


W Type Rubber Fenders - Size & Performance Datasheet

Product Code: RC0817

Product Description

Our W fenders are ideal for use on a wide variety of sea vessel types. They provide excellent energy absorption in order to protect against excessive impacts. This type of fender is usually installed on the bow or stern of the vessel. The grooves along the top of the fender provide excellent grip and low pressure while pushing.



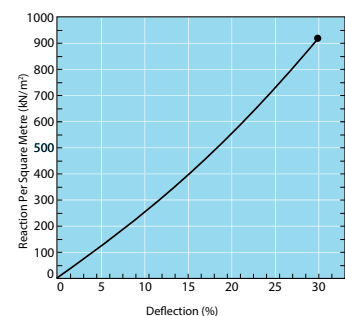
Type	A	B	C	D	E	L (max)	Flat Bar	R (min)	Weight
RCWF-320	320	200	280	100	50	2000	100 x 20	600	51
RCWF-400	400	250	350	110	55	2000	120 x 20	800	81
RCWF-480	480	300	426	135	65	2000	140 x 20	900	116
RCWF-500	500	450	420	90	75	2000	150 x 20	1000	180

Performance tolerance is $\pm 20\%$.

Reaction is per square metre of flat fender area and based on our standard rubber grade.

Dimensions are in millimetres. Weights are in kilogrammes per metre length.

For other sizes, fixing details and custom features, please ask The Rubber Company



The information contained on this product information sheet is to be used as guidance. The advice is given in good faith and does not constitute any guarantee or recommendation for suitability. The Rubber Company cannot be held liable for any damage caused by incorrect installation. We hereby reserve the right to change the technical information herewith without notification or prior agreement.