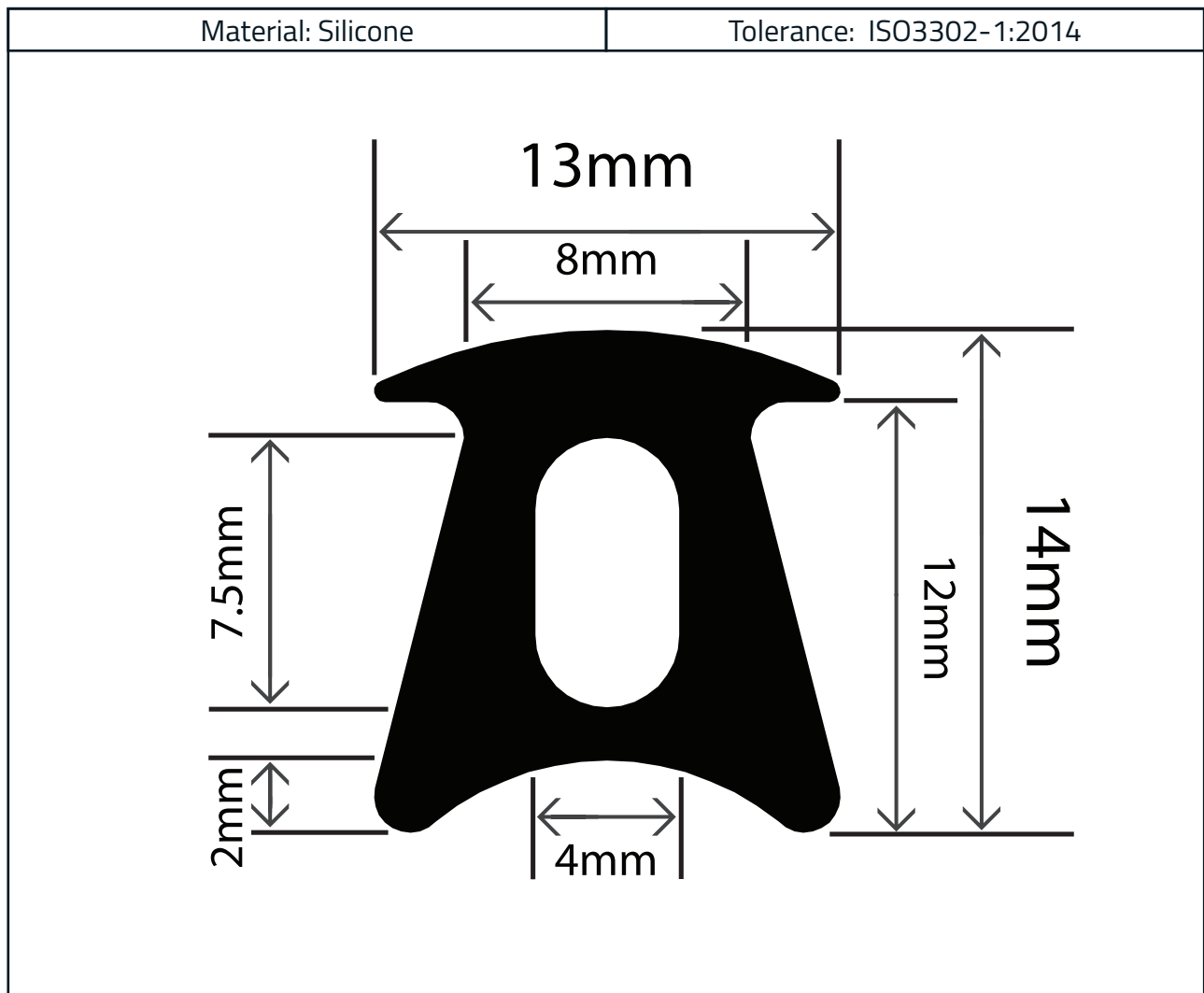


Silicone Mushroom Seal Profile 13mm x 14mm

Product Code: RCSM13X14S



Measurements:

| Height | Width |
|--------|-------|
| 14mm | 13mm |

The information contained on this product information sheet is to be used as guidance. The advice is given in good faith and does not constitute any guarantee or recommendation for suitability. The Rubber Company cannot be held liable for any damage caused by incorrect installation. We hereby reserve the right to change the technical information herewith without notification or prior agreement.



Manufacturers · Designers · Distributors

Experts in
Rubber

Technical Data

| Properties | Test Method | Values |
|---|---------------|----------------------|
| Hardness (Shore A) | - | 60° |
| Tensile Strength | DIN 53504 S1 | 11 N/mm ² |
| Elongation at Break | DIN 53504 S1 | 440% |
| Tear Resistance | ASTM D624 B | 24 N/mm |
| Rebound Resilience | DIN 53512 | 57% |
| Compression Set (50% 23°C for 22 hours) | DIN ISO 815-B | 31% |



The information contained on this product information sheet is to be used as guidance. The advice is given in good faith and does not constitute any guarantee or recommendation for suitability. The Rubber Company cannot be held liable for any damage caused by incorrect installation. We hereby reserve the right to change the technical information herewith without notification or prior agreement.

E sales@therubbercompany.com • W www.therubbercompany.com • T +44 (0) 1794 513 184

The Rubber Company Limited - Registered in England and Wales
Company Number - 08350831 | VAT Number - GB 156 8355 80