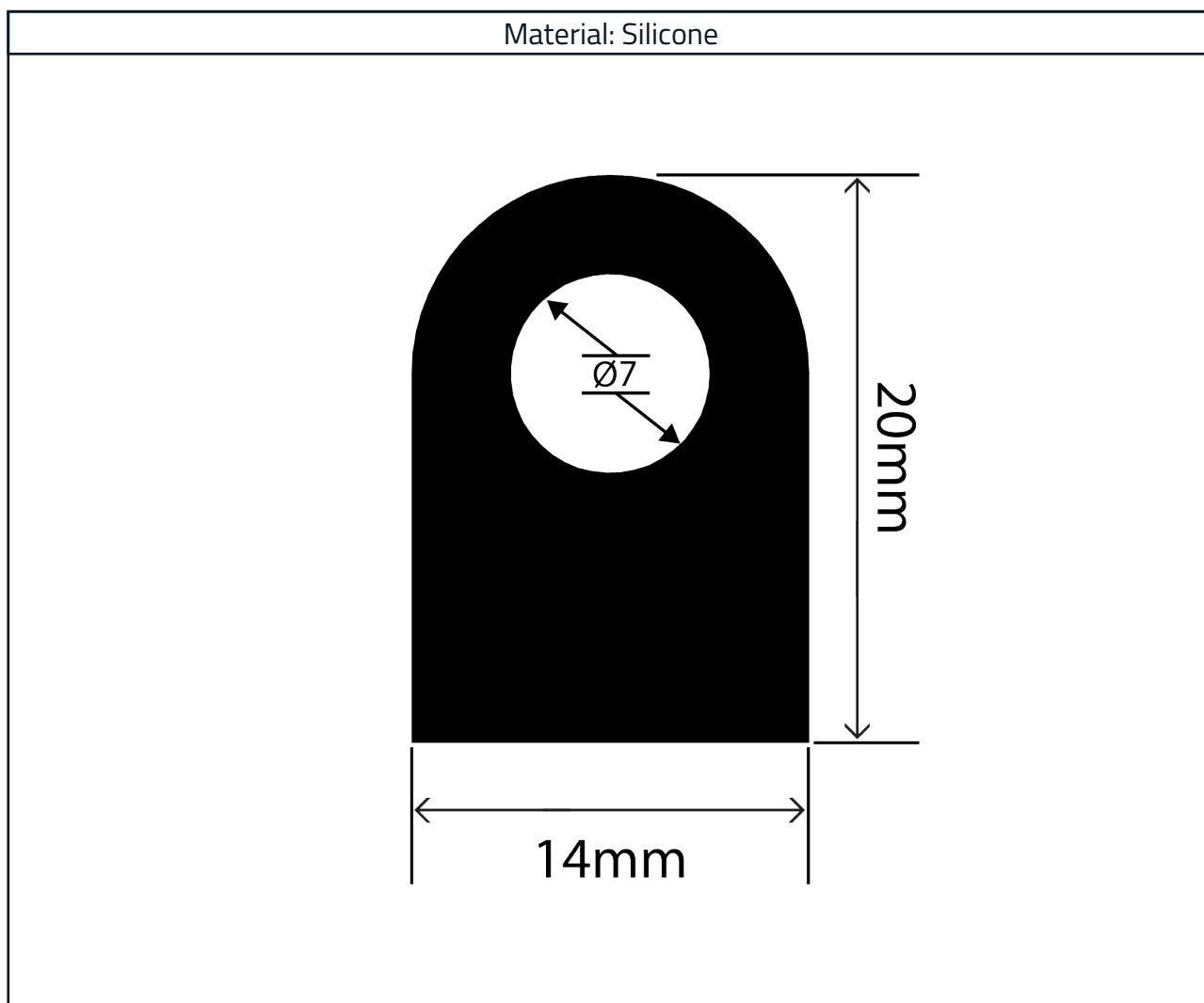


Hollow Silicone D Profile RCSHD14X20S



Measurements:

| Height | Width |
|--------|-------|
| 20mm | 14mm |

The information contained on this product information sheet is to be used as guidance. The advice is given in good faith and does not constitute any guarantee or recommendation for suitability. The Rubber Company cannot be held liable for any damage caused by incorrect installation. We hereby reserve the right to change the technical information herewith without notification or prior agreement.



Manufacturers · Designers · Distributors

Experts in
Rubber

Technical Data

Material Specification

| Properties | Values |
|--|--------------------------------|
| Polymer | Silicone |
| Hardness (Shore A) | 61 |
| Density (Specific Gravity) | Approx. 1.15 g/cm ³ |
| Tensile Strength | 11 N/mm ² |
| Compression Set (20% Deflection at 70°C) | 31% |
| Elongation at Break | 440% |



The information contained on this product information sheet is to be used as guidance. The advice is given in good faith and does not constitute any guarantee or recommendation for suitability. The Rubber Company cannot be held liable for any damage caused by incorrect installation. We hereby reserve the right to change the technical information herewith without notification or prior agreement.

E sales@therubbercompany.com • **W** www.therubbercompany.com • **T** +44 (0) 1794 513 184

The Rubber Company Limited - Registered in England and Wales
Company Number - 08350831 | VAT Number - GB 156 8355 80