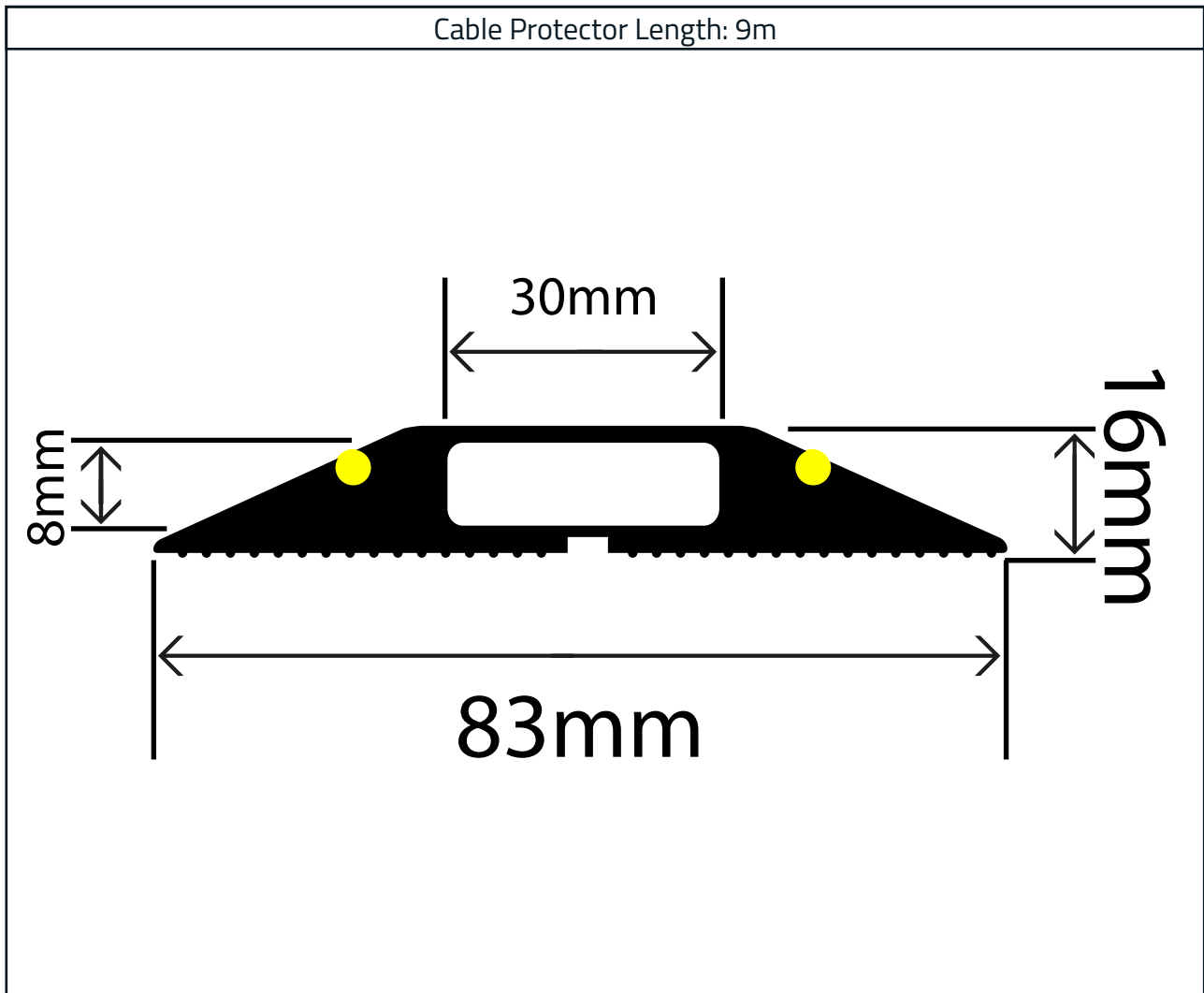


## Rubber Cable Protectors - Hazard Warning

Product Code: RC01118-HW

Reference: RC-HWCP-TYPE2



### Measurements:

Width (mm)	Height (mm)	Inner Channel (mm)
83	16	30 x 8

The information contained on this product information sheet is to be used as guidance. The advice is given in good faith and does not constitute any guarantee or recommendation for suitability. The Rubber Company cannot be held liable for any damage caused by incorrect installation. We hereby reserve the right to change the technical information herewith without notification or prior agreement.



Manufacturers • Designers • Distributors

Experts in  
**Rubber**

## Technical Data

Specification	Value
Rubber Polymer	Natural Rubber / SBR Blend
Material Hardness	75° +/- 5° (shore A)
Halogens	No Halogens
Conductivity	This material is conductive, tested to BS903 part C5
Surface Spread of Flame	Tested to BS479: Part 7: 1987 class 3



The information contained on this product information sheet is to be used as guidance. The advice is given in good faith and does not constitute any guarantee or recommendation for suitability. The Rubber Company cannot be held liable for any damage caused by incorrect installation. We hereby reserve the right to change the technical information herewith without notification or prior agreement.

E [sales@therubbercompany.com](mailto:sales@therubbercompany.com) • W [www.therubbercompany.com](http://www.therubbercompany.com) • T +44 (0) 1794 513 184

The Rubber Company Limited - Registered in England and Wales  
Company Number - 08350831 | VAT Number - GB 156 8355 80