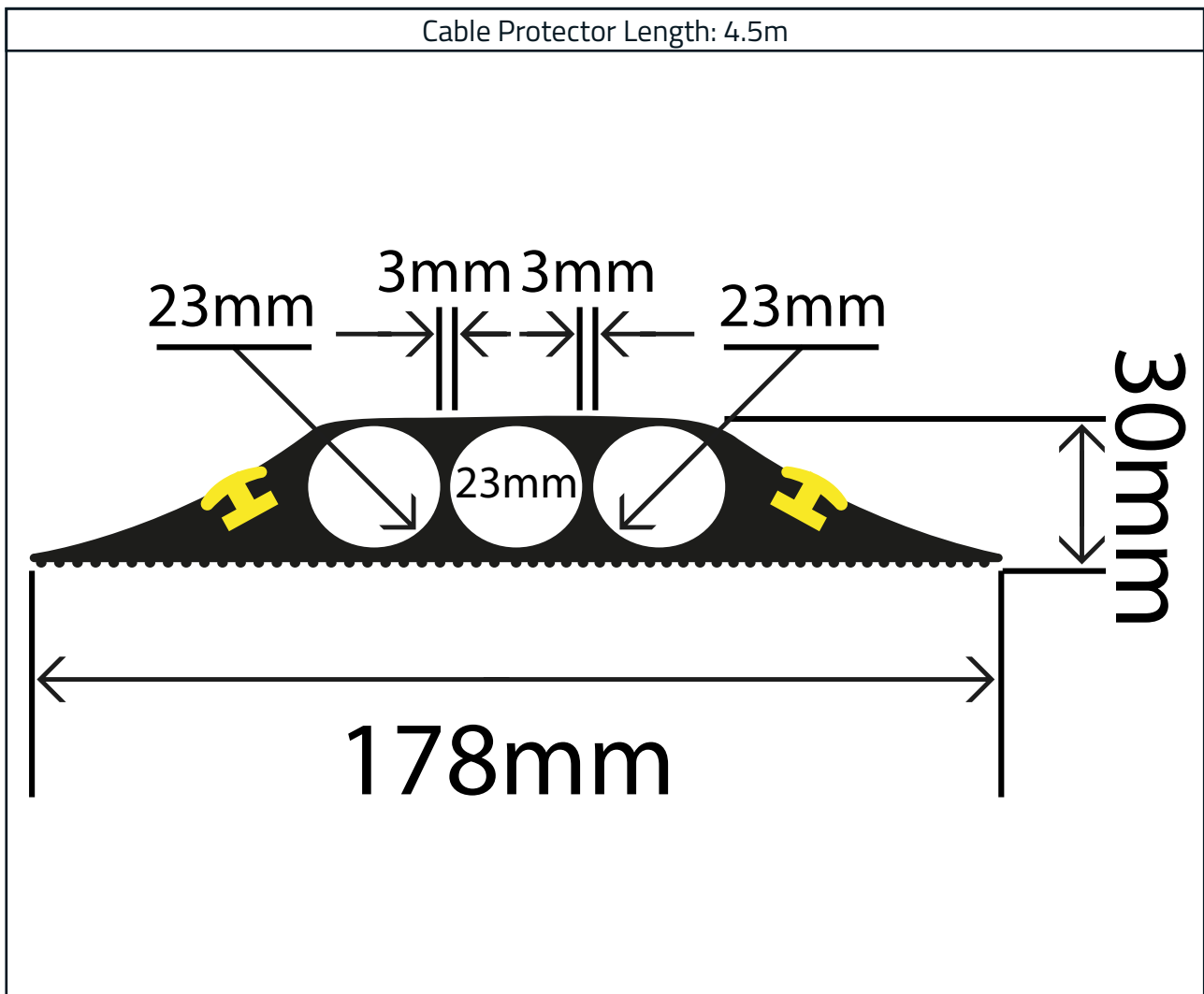


Rubber Cable Protectors - Industrial

Product Code: RC01118-HD

Reference: RC-HDCP-HV3



Measurements:

Width (mm)	Height (mm)	Inner Channel (mm)
178	30	23 Dia.

The information contained on this product information sheet is to be used as guidance. The advice is given in good faith and does not constitute any guarantee or recommendation for suitability. The Rubber Company cannot be held liable for any damage caused by incorrect installation. We hereby reserve the right to change the technical information herewith without notification or prior agreement.



Manufacturers • Designers • Distributors

Experts in
Rubber

Technical Data

Specification	Value
Rubber Polymer	Natural Rubber / SBR Blend
Material Hardness	75° +/- 5° (shore A)
Halogens	No Halogens
Conductivity	This material is conductive, tested to BS903 part C5
Surface Spread of Flame	Tested to BS479: Part 7: 1987 class 3



The information contained on this product information sheet is to be used as guidance. The advice is given in good faith and does not constitute any guarantee or recommendation for suitability. The Rubber Company cannot be held liable for any damage caused by incorrect installation. We hereby reserve the right to change the technical information herewith without notification or prior agreement.