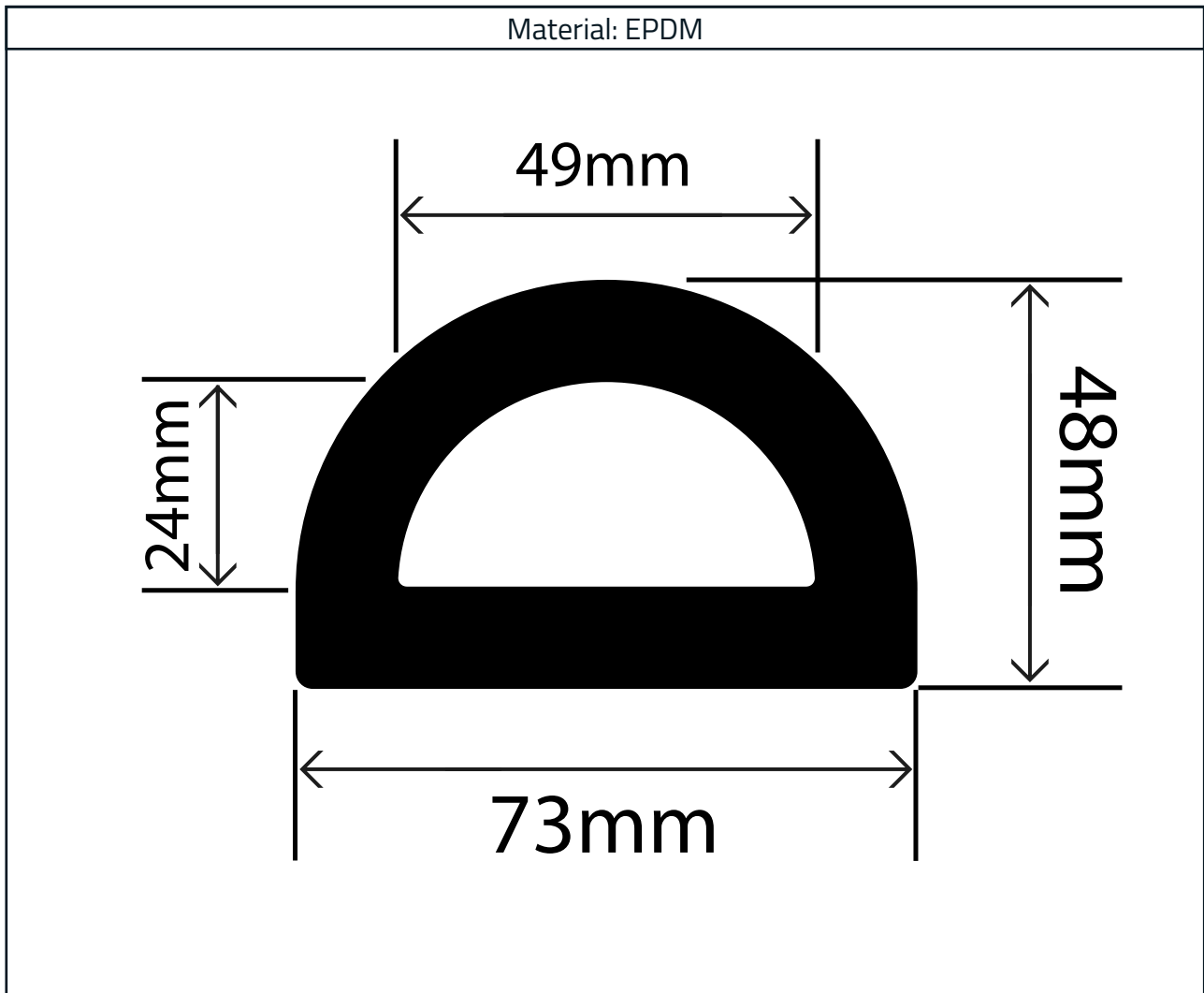


## Natural Rubber D Profile 73mm x 48mm

Product Code: RC0801-73



### Measurements:

Height	Width
48mm	73mm

The information contained on this product information sheet is to be used as guidance. The advice is given in good faith and does not constitute any guarantee or recommendation for suitability. The Rubber Company cannot be held liable for any damage caused by incorrect installation. We hereby reserve the right to change the technical information herewith without notification or prior agreement.



Manufacturers · Designers · Distributors

Experts in  
Rubber

## Material Specification

Specification	Test Method	Requirement	Value
Compound	-	-	EPDM
Colour	-	-	Black
Hardness (Shore A)	ISO 7619-1	70° ± 5°	70-71°
Tensile Strength	ISO 37	≥ 7.5 MPa	7.8 MPa
Elongation at Break	ISO 37	≥ 300%	340%
Tear Resistance	ISO 34-1	≥ 8N/mm	22.18N/mm
Compression Set (22hrs @ 100°C)	ISO 815	35% (max)	23.12%
Low-Temperature Ageing Hardness Change (168hrs @ -10°C)	DIN 53505	+10°	+4°
Ozone Resistance (72hrs @ 40°C-50pphm)	ISO 1431-1 A	NO CRACK	NO CRACK
UV resistance	ASTM D 1148	NO MIGRATION	NO MIGRATION
Brittless Point (24hrs @-40°C)	ISO 812	NO CRACK	NO CRACK
Working Temperature Range	-	-	-40°C TO +120°C



The information contained on this product information sheet is to be used as guidance. The advice is given in good faith and does not constitute any guarantee or recommendation for suitability. The Rubber Company cannot be held liable for any damage caused by incorrect installation. We hereby reserve the right to change the technical information herewith without notification or prior agreement.

E [sales@therubbercompany.com](mailto:sales@therubbercompany.com) • W [www.therubbercompany.com](http://www.therubbercompany.com) • T +44 (0) 1794 513 184

The Rubber Company Limited - Registered in England and Wales  
Company Number - 08350831 | VAT Number - GB 156 8355 80