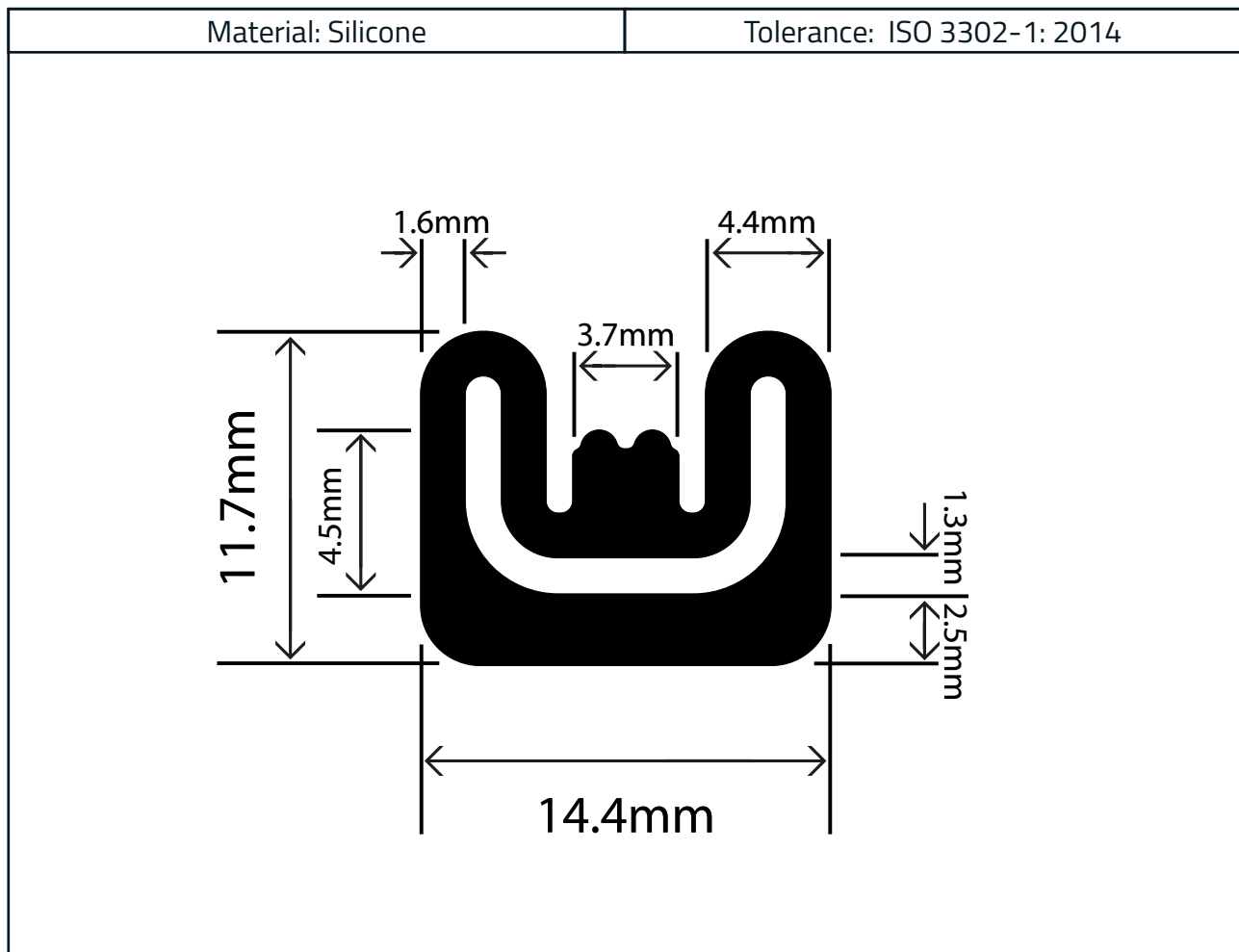


## Silicone Inflatable Seal Profile 14.4mm x 11.7mm

Product Code: RC-IS2427



### Measurements:

| Height | Inflated Height | Width  |
|--------|-----------------|--------|
| 11.7mm | 19.5mm          | 14.4mm |

| Minimum Pressure | Recommended Pressure | Maximum Pressure |
|------------------|----------------------|------------------|
| 10 PSI           | 15 PSI               | 18 PSI           |

The information contained on this product information sheet is to be used as guidance. The advice is given in good faith and does not constitute any guarantee or recommendation for suitability. The Rubber Company cannot be held liable for any damage caused by incorrect installation. We hereby reserve the right to change the technical information herewith without notification or prior agreement.



Manufacturers · Designers · Distributors

Experts in  
Rubber

## Technical Data

| Properties            | Values                 |
|-----------------------|------------------------|
| Hardness (Shore A)    | 60° +/- 5°             |
| Density               | 1.16 kg/m <sup>3</sup> |
| Tensile Strength      | 10 MPa                 |
| Elongation at Break   | 450%                   |
| Operating Temperature | -70°C to +200°C        |
| Compression Set       | 35%                    |

| Properties                     | Values |
|--------------------------------|--------|
| ASTM Designation (ASTM D14/18) | VMQ    |
| Tensile Strength               | >1200  |
| Hardness (Shore A)             | 60°    |
| Tear Resistance                | D      |
| Abrasion Resistance            | E      |
| Compression Set                | B      |
| Cold Resilience                | A      |
| Heat Resilience                | A      |
| Radiation Resistance           | C      |
| Impermeability To Gases        | D      |

| Properties - Acid Resistance | Values |
|------------------------------|--------|
| Mild Dilute                  | A      |
| Strong Concentrate           | D      |
| Solvent Resistance           | -      |
| Aplihatic Hydrocarbons       | E      |
| Aromatic Hydrocarbons        | E      |
| Oxygenated (Keytones, etc)   | E      |

| Properties - Resistance     | Values |
|-----------------------------|--------|
| Swelling In Lubricating Oil | E      |
| Oil and Gasoline            | D      |
| Animal Oils                 | C      |
| Water Absorption            | A      |
| Oxidation                   | A      |
| Ozone                       | A      |
| Sunlight Aging              | A      |
| Heat Aging                  | O      |
| Low Temperature             | O      |
| Flame                       | D      |
| Vegetable Oils              | E      |
| Chlorinated Hydrocarbons    | E to D |

A = Exceptional, B = Very Good, C = Good, D = Fair, E = Poor



The information contained on this product information sheet is to be used as guidance. The advice is given in good faith and does not constitute any guarantee or recommendation for suitability. The Rubber Company cannot be held liable for any damage caused by incorrect installation. We hereby reserve the right to change the technical information herewith without notification or prior agreement.

E sales@therubbercompany.com • W www.therubbercompany.com • T +44 (0) 1794 513 184

The Rubber Company Limited - Registered in England and Wales  
Company Number - 08350831 | VAT Number - GB 156 8355 80